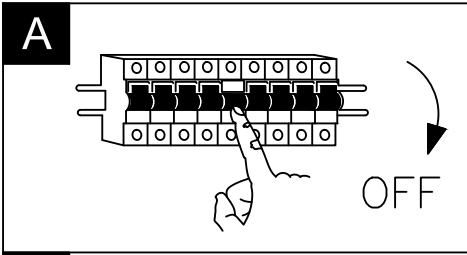


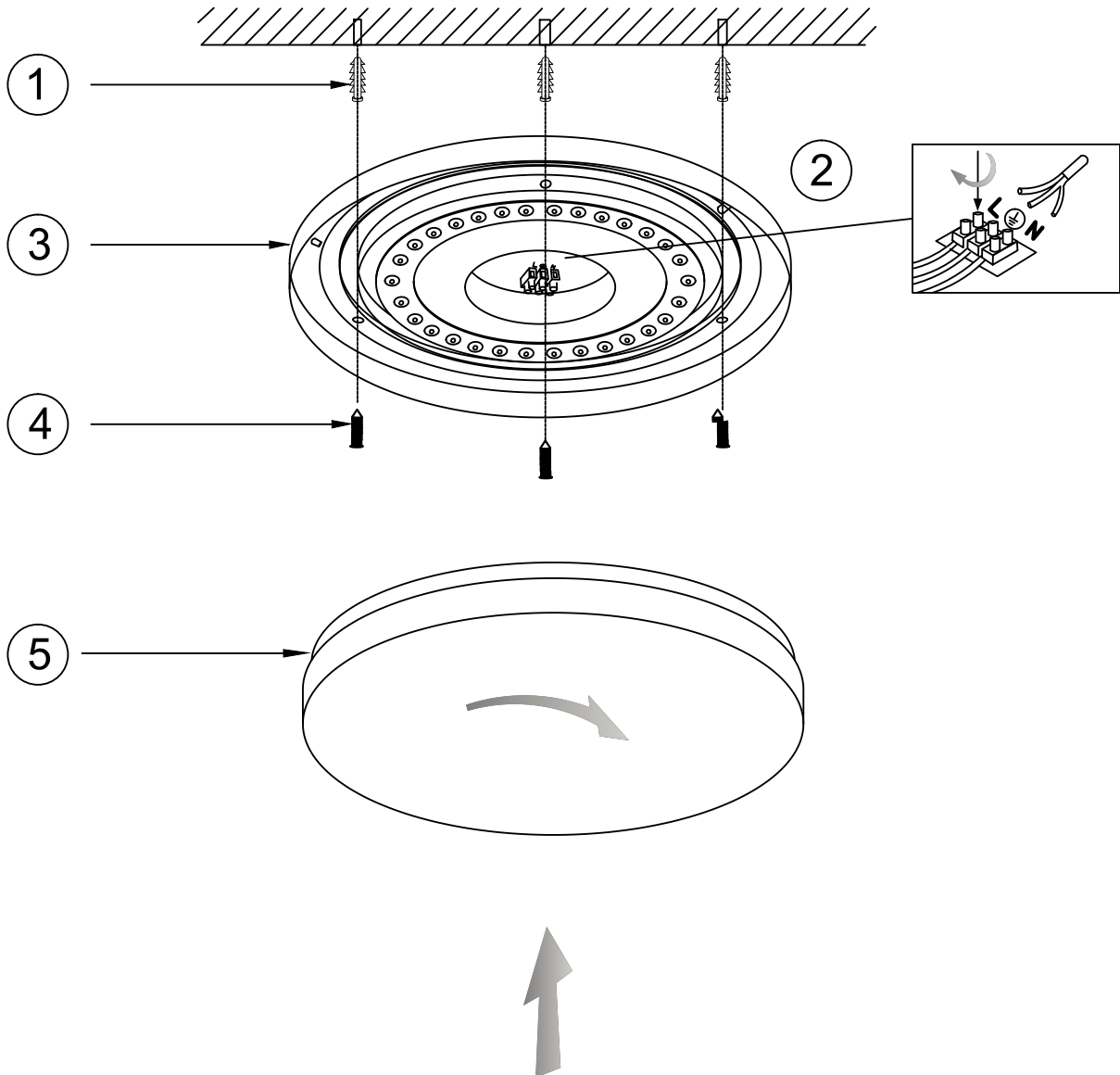
# GLOBO

LIGHTING

41625-12/41625-18



**B**



GLOBO Handels GmbH  
St.Peter 38  
A-9184 St.Jakob / Rosental  
[www.globo-lighting.com](http://www.globo-lighting.com)

